

M1 Compression Latch

Cast 316 stainless steel · Lift & turn · Adjustable grip
50 mm size

Features

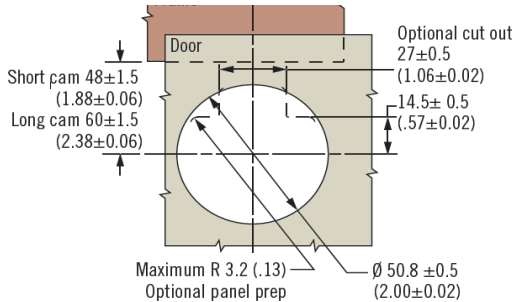
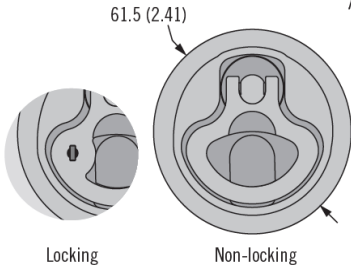
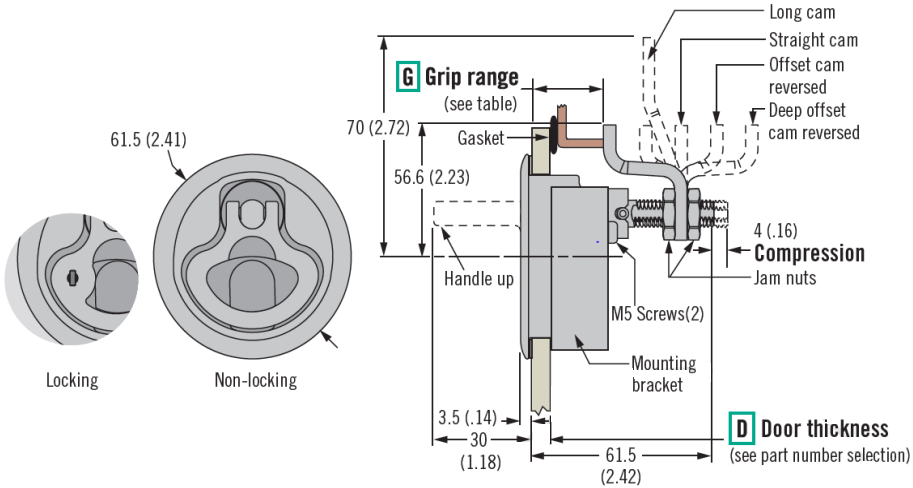
- Consistent pre-set compression
- Easy grip adjustment
- Flush round hole install
- NEMA 4 / IP66 sealing is achieved using supplied flange gasket

Material

- Cast 316 grade stainless steel

Product Performance

- Short cam maximum static load: 460 N
- Long cam maximum static load: 350 N



Keys

- Lock style 8: M1-546
- Lock style 9: M1-525-39-S008



L Lock style

- 3 Non-locking
- 8 Locking (2 keys supplied)
- 9 Key-locking keyed alike S008 (2 overmolded keys supplied)

M1 - 20 - L D - G 8

D	Door Thickness	Grip Adjustment Value
1	2 - 12 (.075 - .475)	19 (.75)
2	12 - 22.5 (.475 - .885)	9 (.35)
3	18.5 - 29 (.73 - 1.14)	2.5 (.10)

G Grip Range		
Short cam		
5	21 - 28 (.83 - 1.10)	Deep offset forward
4	27 - 40 (1.06 - 1.57)	Offset forward
3	39 - 52 (2.01 - 2.52)	Straight
4	51 - 64 (2.01 - 2.52)	Offset reversed
5	63 - 76 (2.48 - 3.00)	Deep offset reversed
Long cam		
8	21 - 28 (.83 - 1.10)	Deep offset forward
7	27 - 40 (1.06 - 1.57)	Offset forward
6	39 - 52 (2.01 - 2.52)	Straight
7	51 - 64 (2.01 - 2.52)	Offset reversed
8	63 - 76 (2.48 - 3.00)	Deep offset reversed

All grips of 35 or below, highlighted in in the table above, are potentially a function of door thickness and may not always be achievable, depending on actual door thickness used. In this range of grips, the minimum achievable grip will be limited to actual door thickness + grip adjustment value, or the minimum values shown in the table, whichever is greater.

Examples:

For door thickness of 4mm, the minimum achievable grip is 23 and is achieved with a deep offset cam in the forward position. (4 + 19 = 23)
For door thickness of 20mm, the minimum achievable grip is 29 and is achieved with an offset cam in the forward position. (20 + 9 = 29)

M1 Compression Latch

Cast 316 stainless steel · Lift & turn · Adjustable grip
64 mm size

Features

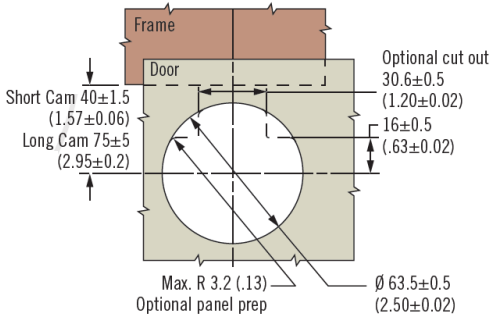
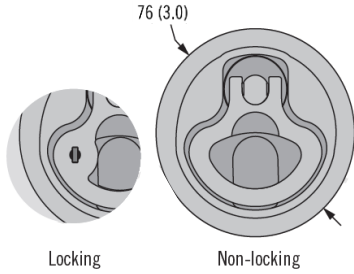
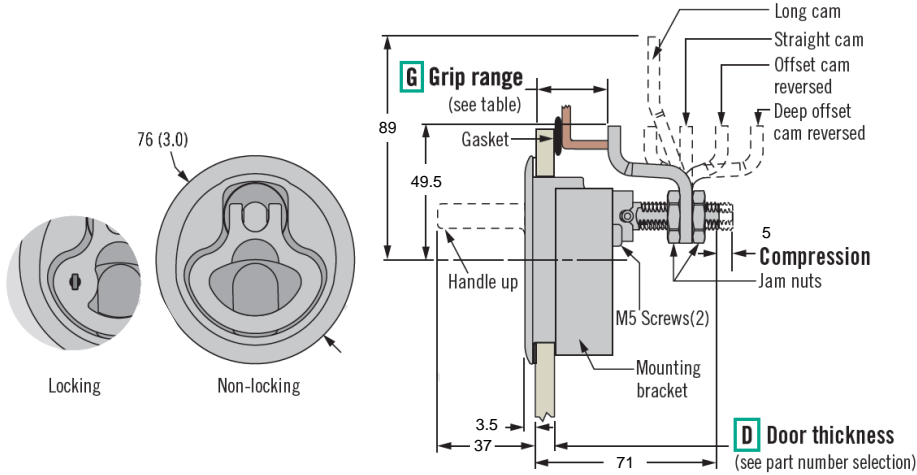
- Consistent pre-set compression
- Easy grip adjustment
- NEMA 4 / IP66 sealing is achieved using supplied flange gasket

Material

- Cast 316 grade stainless steel

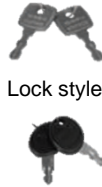
Product Performance

- Short cam maximum static load: 1,010 N
- Long cam maximum static load: 350 N



Keys

- Lock style 8: M1-546
- Lock style 9: M1-525-39-S008



- L Lock style**
- 3 Non-locking
 - 8 Locking (2 keys supplied)
 - 9 Key-locking keyed alike S008 (2 overmolded keys supplied)

M1 - 25 - L D - G 8

D	Door Thickness	Grip Adjustment Value
1	2 - 12 (.075 - .475)	21.5 (.85)
2	12 - 22.5 (.475 - .885)	11.5 (.45)
3	18.5 - 29 (.73 - 1.14)	4 (.12)

G Grip Range		
Short cam		
5	23.5 - 35 (.92 - 1.38)	Deep offset forward
4	34 - 48 (1.34 - 1.89)	Offset forward
3	47 - 61 (1.85 - 2.40)	Straight
4	60 - 75 (2.36 - 2.95)	Offset reversed
5	74 - 88 (2.91 - 3.47)	Deep offset reversed
Long cam		
8	23.5 - 35 (.92 - 1.38)	Deep offset forward
7	34 - 48 (1.34 - 1.89)	Offset forward
6	47 - 61 (1.85 - 2.40)	Straight
7	60 - 75 (2.36 - 2.95)	Offset reversed
8	74 - 88 (2.91 - 3.47)	Deep offset reversed

All grips of 33.5 or below, highlighted in in the table above, are potentially a function of door thickness and may not always be achievable, depending on actual door thickness used. In this range of grips, the minimum achievable grip will be limited to actual door thickness + grip adjustment value, or the minimum values shown in the table, whichever is greater.

Examples:
For door thickness of 4mm, the minimum achievable grip is 25.5 and is achieved with a deep offset cam in the forward position. ($4 + 21.5 = 25.5$)
For door thickness of 20mm, the minimum achievable grip is 31.5 and is achieved with an offset cam in the forward position. ($20 + 11.5 = 31.5$)



We are proud to be Southco's authorized distributor of over 20 years